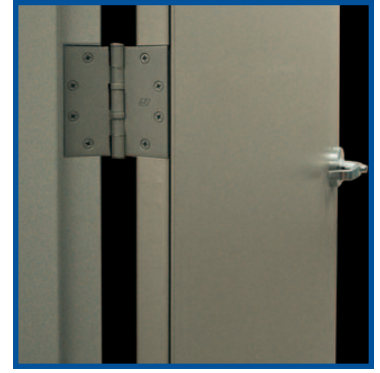


Hollow Metal Doors and Frames:

- Baron
- Steelcraft
- Ceco
- Curries
- Much more

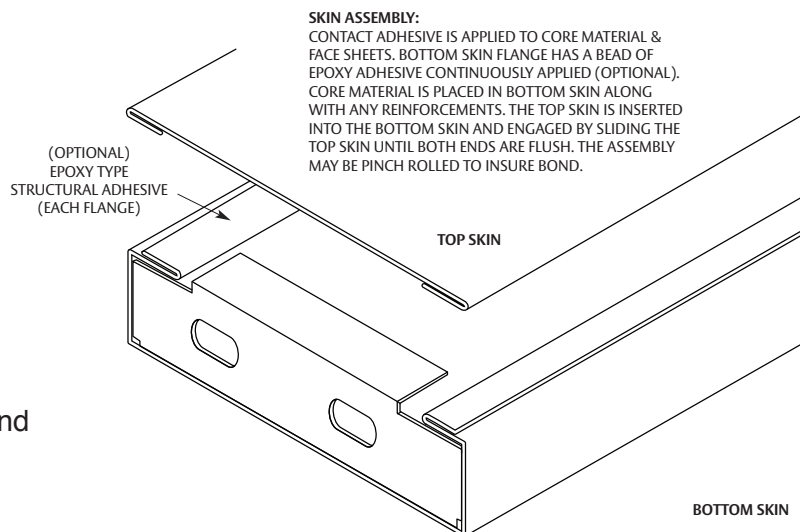
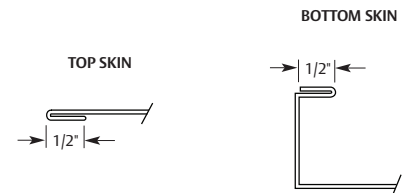


Features

- Gauge: 18 gauge cold rolled steel standard, special order in galvaneal
- Polystyrene core standard
- Hardware Location: Steelcraft & others
- Non handed
- Door Construction
 - Inverted Top and Bottom Channels for additional stability and protection
 - Interlocking Seams
 - Heavy Duty Closer Reinforcement in all doors
 - Hinge Reinforcements with dimpled construction
 - Flush Top Cap standard

Certifications/Warranty

- Level "A" grade tested in accordance with ANSI A250.4 test procedures
- Meets ANSI/SDI A250.6
- Meets ANSI A250.8
- Listed for fire door installations requiring positive or negative pressure testing- UBC 7-2-97, UL10B, and UL10C in sizes 4080 and 8080 pairs

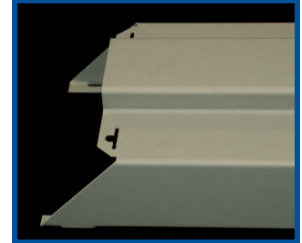
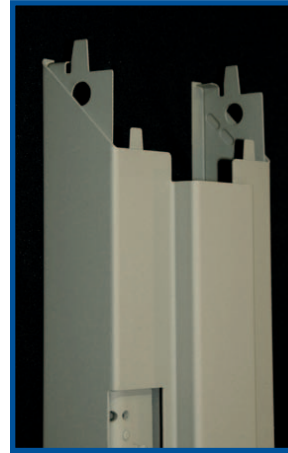


1 Year Limited Warranty

Hollow Metal Frames

Features

- Prime Painted
- 16 Gauge
- Profiles
 - Masonry-Standard Profile (A40 galvanneal)
 - Drywall- Cold Rolled Steel
- Strike Prep: 4-7/8"
- Anchors Available: Wood Stud, Steel Stud, Masonry, Dimpled based anchor, Drywall compression anchor
- Hardware locations: Steelcraft
- Unequal rabbet design



Certifications

- 1-1/2 hour first rating- Drywall (IT/WHI)
- 3 hour fire rating Masonry (IT/WHI)

Stocked Product

- Note:
- All hinge side jambs are 345 prep
 - All strike jambs are ASA prep
 - All frame preps in Steelcraft locations

Drywall Frames

	Jamb Depth 4-3/4"	Jamb Depth 5-7/8"	Jamb Depth 6-1/4"	Jamb Depth 7-3/4"	Jamb Depth 8-1/4"
Head	30, 60	20, 24, 26, 28, 30, 60	30, 60	30, 60	30, 60
Sides	68, 70	68, 70, 80	68, 70	68, 70	68, 70

Masonry Frames

	Jamb Depth 4-3/4"	Jamb Depth 5-3/4"	Jamb Depth 6-1/4"	Jamb Depth 6-3/4"	Jamb Depth 7-3/4"	Jamb Depth 8-1/4"	Jamb Depth 8-3/4"
Head	30	26, 28, 30, 30 w/ 4" face, 36, 40, 60, and 60 w/ 4" face	30, 40, 60	30, 40, 60	30, 40, 60	30, 40, 60	30, 40, 60
Sides	68, 70	68, 70, 80	68, 70	68, 70	68, 70	68, 70	68, 70