

## Norton

### 1601 Series - Multi-Sized Closers - Packed 6 per case

**Note:** Norton Series 1601BF door closers will meet the requirements of the Americans With Disabilities Act (A.D.A.), and will comply with industry standards for opening and closing forces as established by the Builders Hardware Manufacturing Association (B.H.M.A.).

### Features

**Two Power Ranges:** Each series can be adjusted through a range of sizes:

Series 1601 Normal Power Range Closers, sizes 3 thru 6. Series 1601BF Accessibility Code Closers, sizes 1 thru 4.

**Booster Spring:** Specially designed booster spring is engineered into each unit to provide additional and necessary closing force for doors which travel beyond 110° of swing.

**Tri-Style Installation:** Packaged for regular arm, top jamb or parallel arm installation.

**Aluminum Alloy Shell:** Norton closer shells are constructed of a special aluminum alloy which is lightweight and offers proven durability.

**Rack & Pinion Operation:** Provides a smooth transmission of power, for control of the door through its full opening and closing cycle.

**Adjustable Sweep Speed:** An independent regulating valve, hex-key-operated, permits adjustment of the general closing speed.

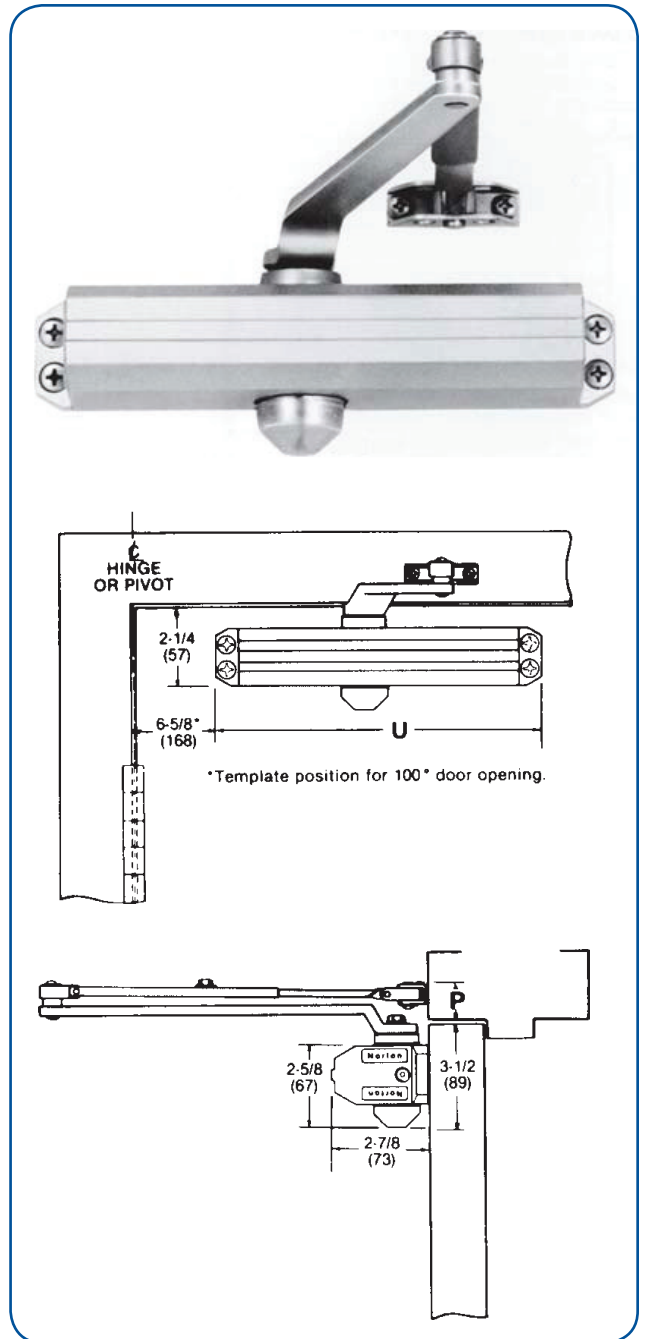
**Adjustable Latch Speed:** An independent regulating valve, hex-key-operated, permits adjustment of the door's speed for approximately the last 10° of the closing cycle.

**Adjustable Backcheck Cushioning:** An independent regulating valve, hex-key-operated, provides an adjustable hydraulic cushion to the door opening speed toward the end of the opening cycle.

**Adjustable Delayed Action:** Available in place of backcheck. Adds a third closing speed range at the beginning of the door's closing cycle.

### Options

• 1601BF Series special order only



### Stocked product

1601

689,690

## Norton

### 7500 Series



### *Applications*

Series 7500 closers are narrow projection door controls: projection is just 2 1/8" from the surface of the door or jamb. They are complete with covers finished to suit the decor of other hardware. They are available with sprayed covers or BHMA plated finishes. Norton Series 7500 closers are non-handed and are packaged with both a mounting shoe and soffit plate. Any Series 7500 can be installed Regular Arm or Parallel Arm. It can also be installed top jamb where frame face and frame reveal permit, it can be installed on either right or left hand doors.

- **SNB:** All closers packed with sex nuts and bolts

### *Options*

- **BF:** No longer need to specify.
- All 7500's have new spring for size 1-6
- **H:** Hold open arm function
- **PR:** Parallel rigid arm (heavy duty)

### *Regular Arm*

This is the only pull side application where a double lever arm is used. It is the most power efficient application for a door closer. Sufficient frame, door and/or ceiling clearance must be considered. Since the arm assembly projects directly out from the frame, this application may present an aesthetic issue or be prone to vandalism.

**All closers are stocked, packed tri-pack with parallel arm bracket**

### **Stocked product**

7500 689,690

## Norton

### 8500 Series

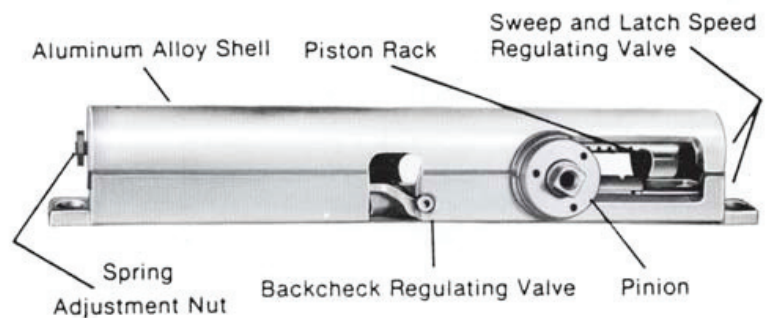
#### Features

This series incorporates independent sweep and latch speed adjustments. In addition, adjustable spring power and adjustable backcheck cushioning are standard features. Adjustable delayed action closing is available as an option in addition to the adjustable backcheck cushioning feature. Norton also offers a Multi-Size Door Closer Series which features adjustable spring power thru a range of sizes. Series 8501 has adjustable power in the Normal Power Range of sizes 1 thru 6. These closers offer low opening resistance for handicapped accessibility but still provide acceptable door control.

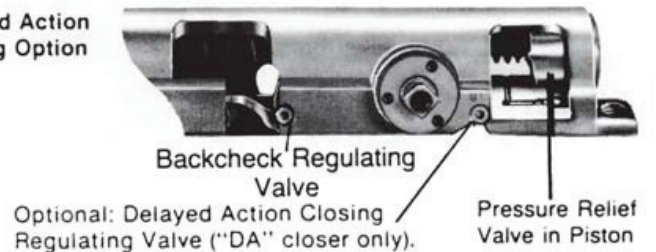
**SNB:** All closers packed with sex nuts and bolts

#### Options

- **BF:** No longer needed. all 8500's have new spring for size 1 thru 6
- **DA:** Delayed action closing
- **H:** Hold open arm function



Delayed Action Closing Option



#### Stocked product

8501	689,690
8501DA	689
8501H	689,690

## Norton - Parts & Accessories

Sex Nuts Only (SN), bolts excluded

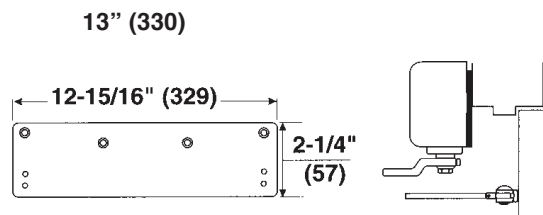


### Stocked product

SN134

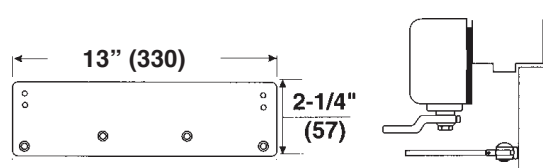
689 Aluminum

## 8501 Series - Closer Mounting Plates - Top Jamb Closer



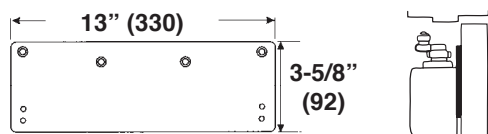
### Low Ceiling Clearance - #8146 Drop Plate

For use where low ceiling clearance prevents normal top jamb mounting. This plate is used when clearance is from 1-7/8" to 2-7/8" (48mm to 73mm). Where ceiling clearance is less than 1-7/8" (48mm) see #8148 Drop Plate detailed in the following text.



### Overhead Door Holder - #8146 Drop Plate

For use where a surface or concealed overhead door holder prevents normal top jamb mounting. This plate drops the closer and allows arm mounting screws to clear the bottom of the door holder. This places the centerline of the arm mounting screws at 2-7/8" (73mm) from the top of the door.



### Low Ceiling Clearance - #8148 Drop Plate

For use where the ceiling clearance is between 1- 1/2" and 1- 3/4" (38mm and 44mm).

### Stocked product

8146, 8148 689 Aluminum